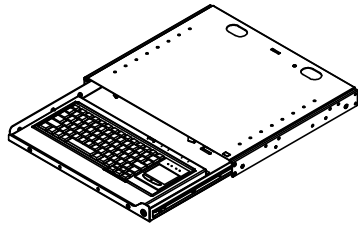


# DR4 2/4 Post Installation Instruction

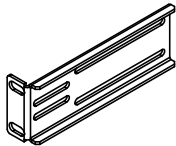
## Included in this package



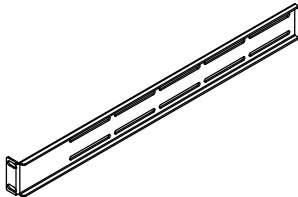
(1) Keyboard Drawer  
and 1 pair Key



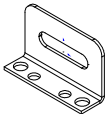
(2) 2" Front Mount Ear  
Bracket



(2) 5" Center / Rear  
Mount Bracket.



(2) 17" Rear Mount  
Bracket

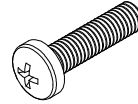


(2) Cable strap  
anchor bracket

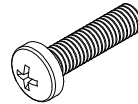
## Included Mounting Hardware



(10) M4 x 8 Screws



(8) #10-32 x 5/8 Rack Screws



(8) #12-24 x 5/8 Rack Screws

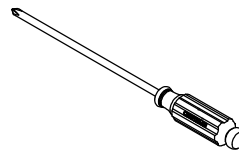
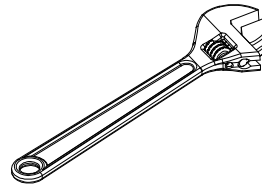


(6) M4 K-Lock Nuts



(4) M4 x 5 flat head screw

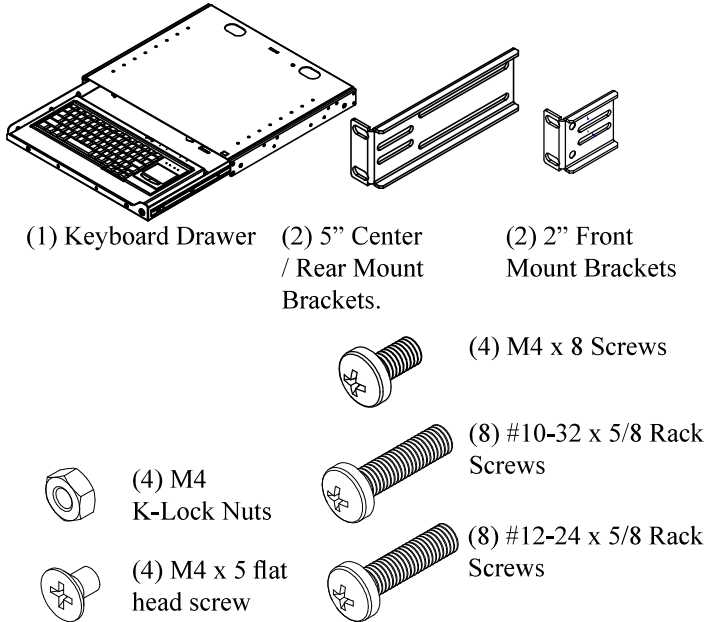
## Tools Required



# DR4 4 Post Installation Instruction. For 16" to 19" depth

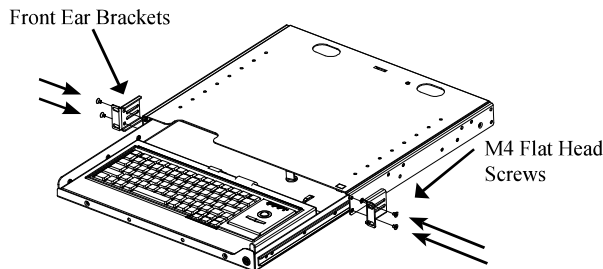


## Parts and accessories required

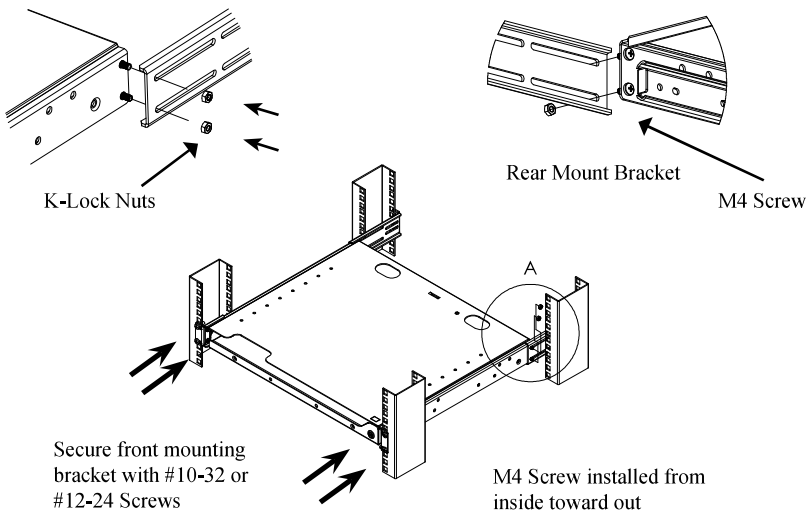


## Installation Steps

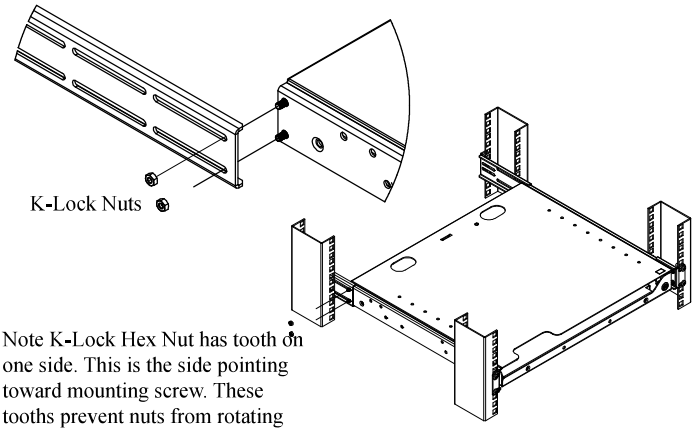
### Step 1 Installing Front Ear Brackets



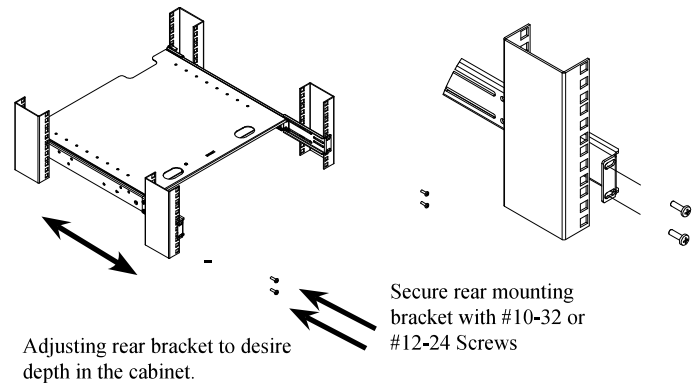
### Step 2 Installing DR4 into 4 Post Cabinet.



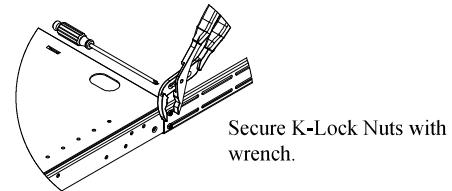
### Step 3 Installing Left side rear-mount bracket



### Step 4 Secure both rear mount brackets



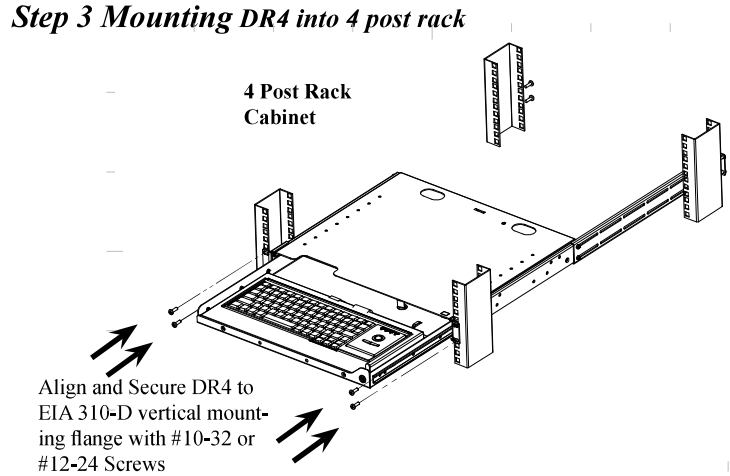
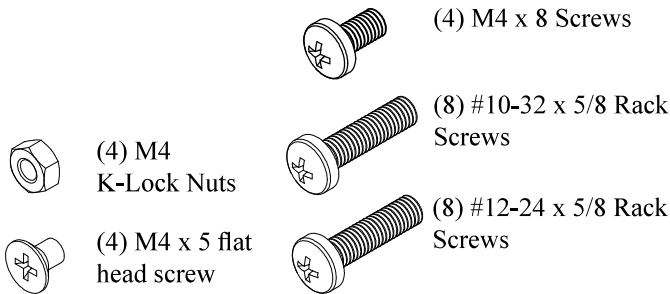
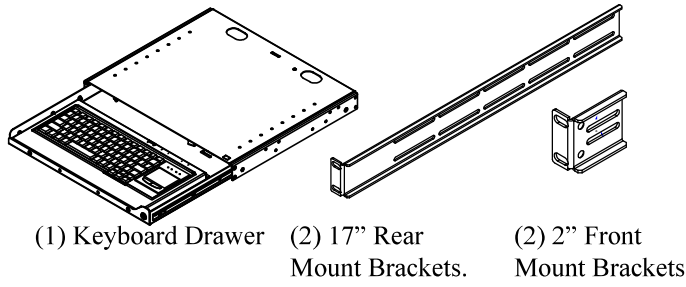
### Step 5 Secure both side rear mount brackets



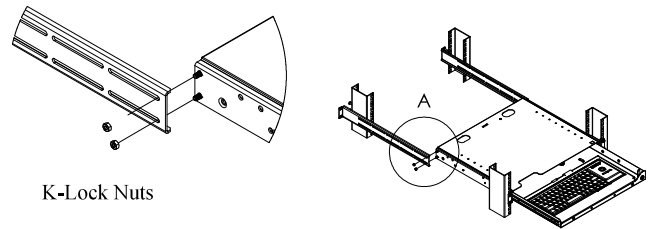
Installation Complete.

# DR4 4 Post Installation Instruction

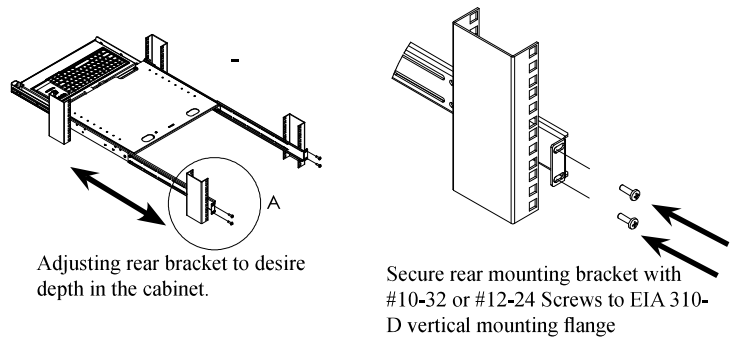
## Parts and accessories required for Installation *Step 3 Mounting DR4 into 4 post rack*



### *Step 4 Installing Left side rear-mount bracket*

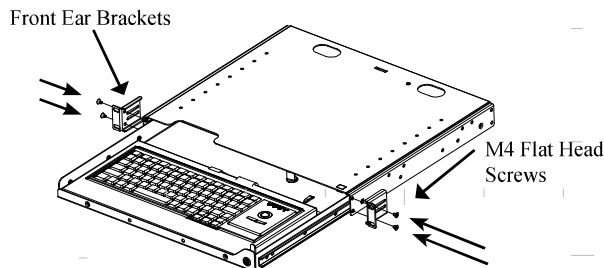


### *Step 5 Secure both rear mount brackets*

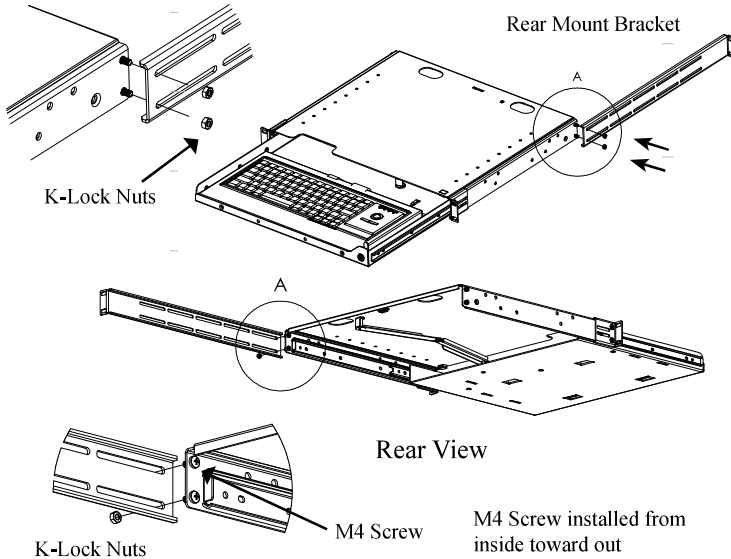


## Installation Steps

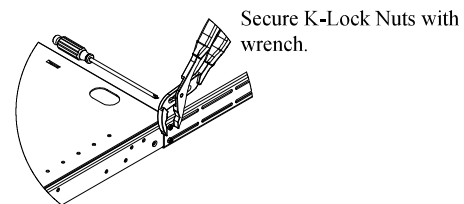
### *Step 1 Installing Front Ear Brackets*



### *Step 2 Installing Right Rear Bracket.*



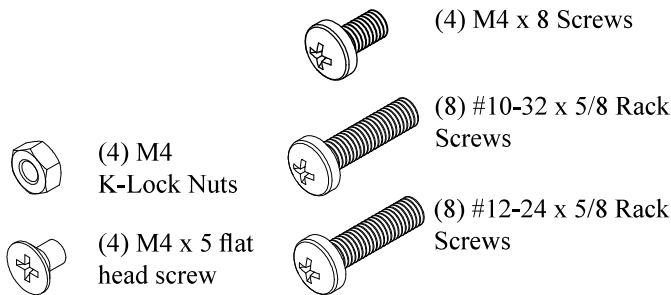
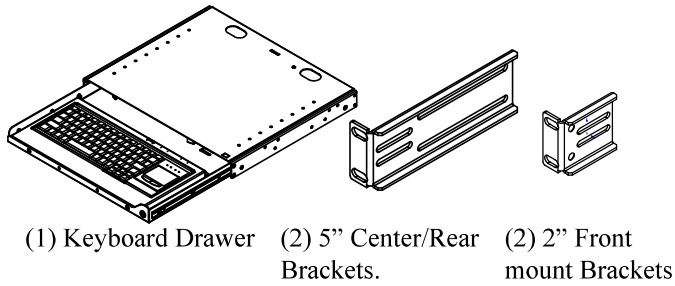
### *Step 6 Secure both side rear mount brackets*



Installation Complete.

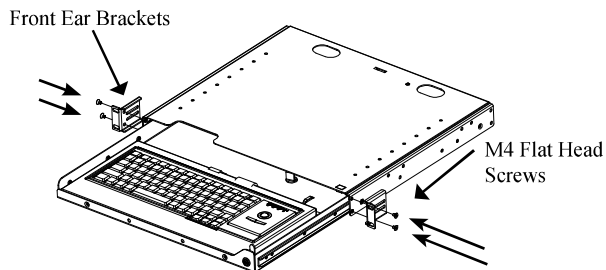
# DR4 Front Mount 2 Post Installation Instruction

## Parts and accessories required

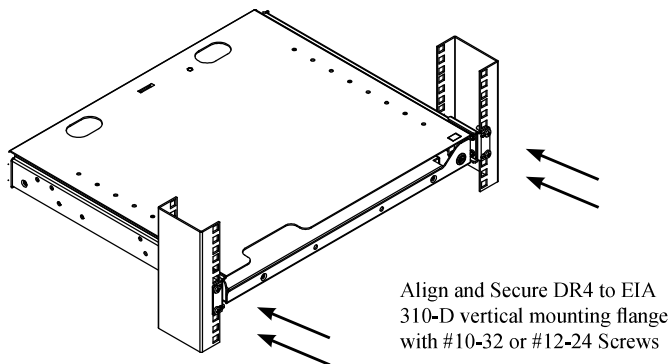


## Installation Steps

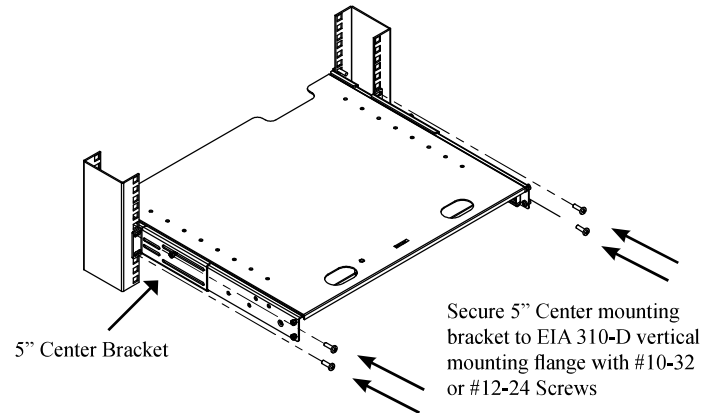
### Step 1 Installing Front Ear Brackets



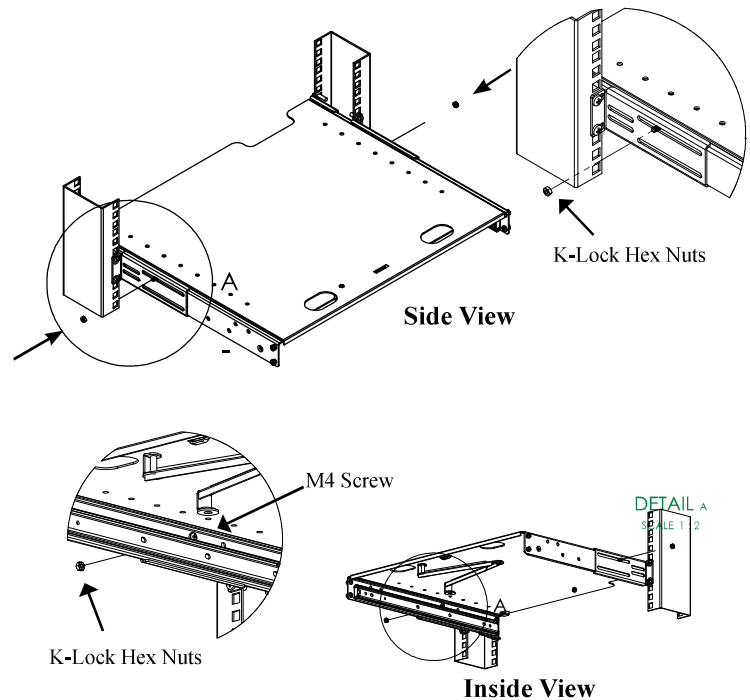
### Step 2 Mounting DR4 into front of 2/4 Post Relay Rack.



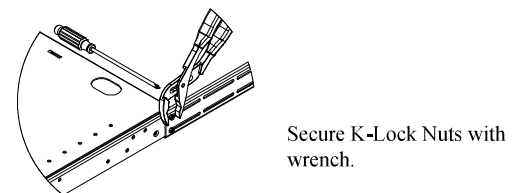
### Step 3 Installing 5" Center Bracket



### Step 4 Secure both rear brackets



### Step 5 Secure both side rear mount brackets

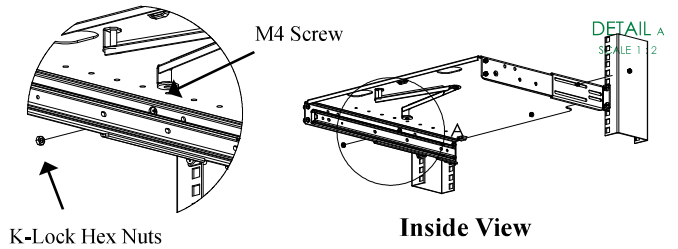
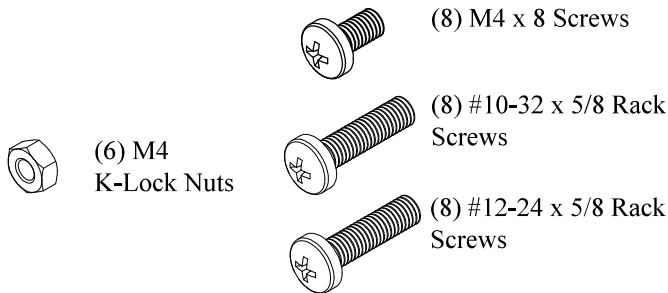
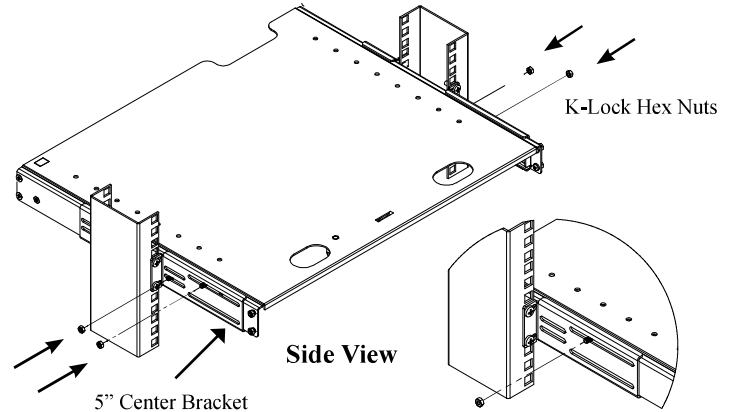
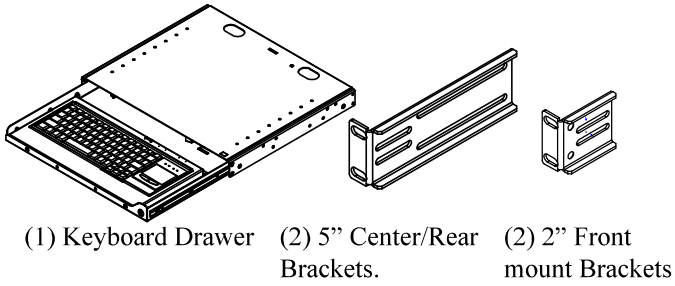


Installation Complete.

# DR4 Center Mount 2 Post Installation Instruction

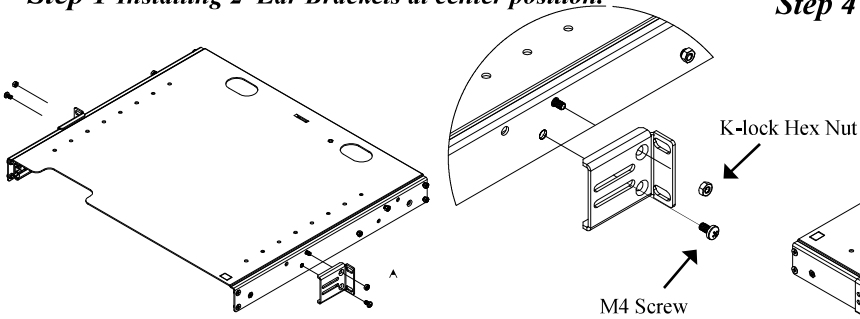
## Parts and accessories required

## Step 3 Installing 5" Center Brackets

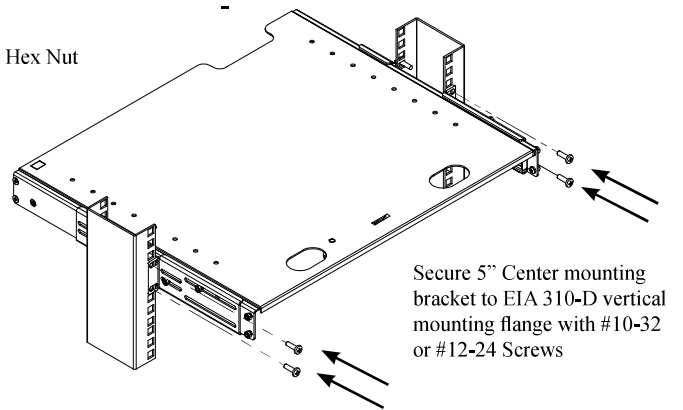


## Installation Steps

### Step 1 Installing 2" Ear Brackets at center position.



### Step 4 Secure both rear brackets



### Step 2 Mounting DR4 into front of 2/4 Post Relay Rack.

### Step 5 Secure all K-Lock Hex Nuts

