

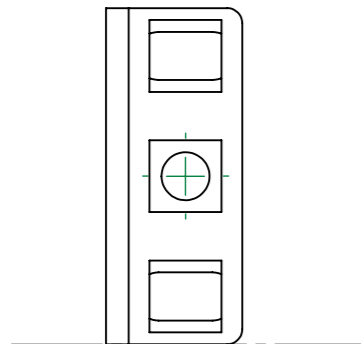
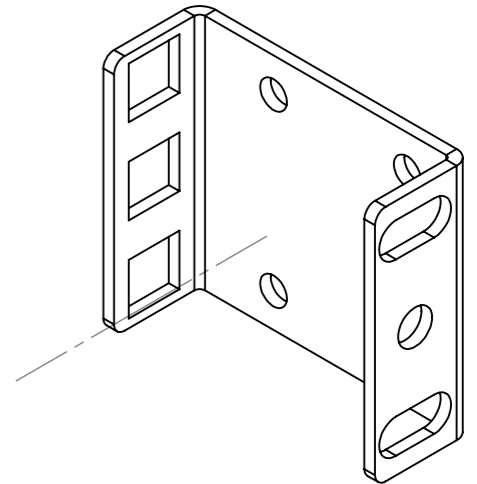
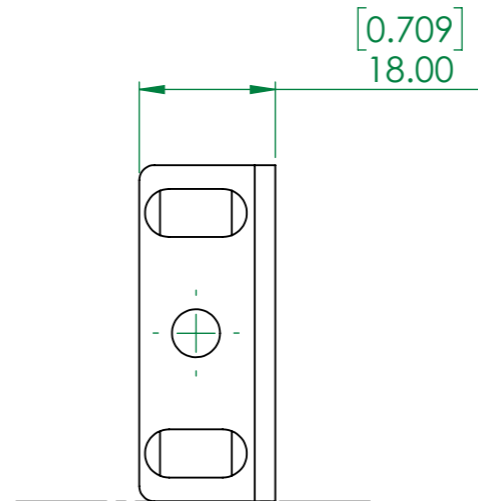
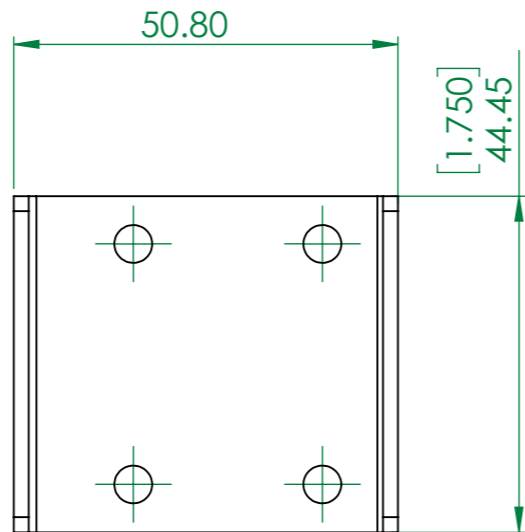
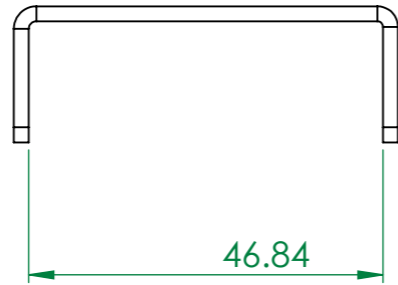
A

B

C

D

E



Note:
 1. No sharp edges.
 2. RoHS: Manufacturer must ensure that all components used must comply with RoHS Regulation.

CONFIDENTIAL DOCUMENT DO NOT COPY

Industrial Automation & Enclosures A leading developer of industrial rackmount products TEL:(516)997-5050 FAX:(516)997-5784 ©2016 IAE Inc /www.iaenclosures.com	MODEL	RCB11xx	APPV'D		REVISION	V 1.000000	UNSPECIFIED TOLERANCES: ±
	PART NO.	67xxx	DATE	7/27/2021	FINISH	Black Powder Paint	
	PART NAME	4U Panel Drawing			SCALE	1:1	SHEET 1 OF 1
					MATERIAL	14 Gauge Steel	UNIT:mm