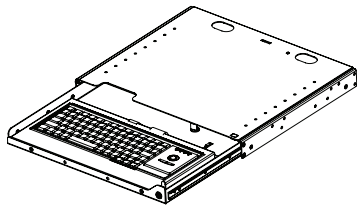


DR4-TB/PAD 2/4 Post Installation Instruction

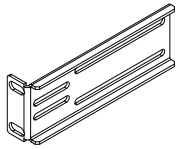
Included in this package



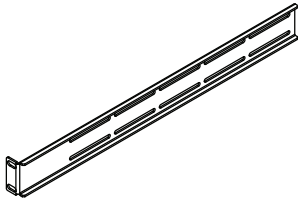
(1) Keyboard Drawer
and 1 pair Key



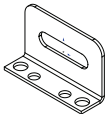
(2) 2" Front Mount Ear
Bracket



(2) 5" Center / Rear
Mount Bracket.



(2) 17" Rear Mount
Bracket

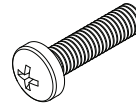


(2) Cable strap
anchor bracket

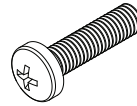
Included Mounting Hardware



(10) M4 x 8 Screws



(8) #10-32 x 5/8 Rack Screws



(8) #12-24 x 5/8 Rack Screws

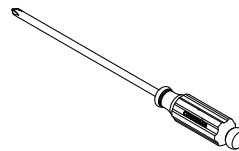
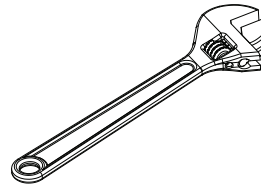


(6) M4 K-Lock Nuts



(4) M4 x 5 flat head screw

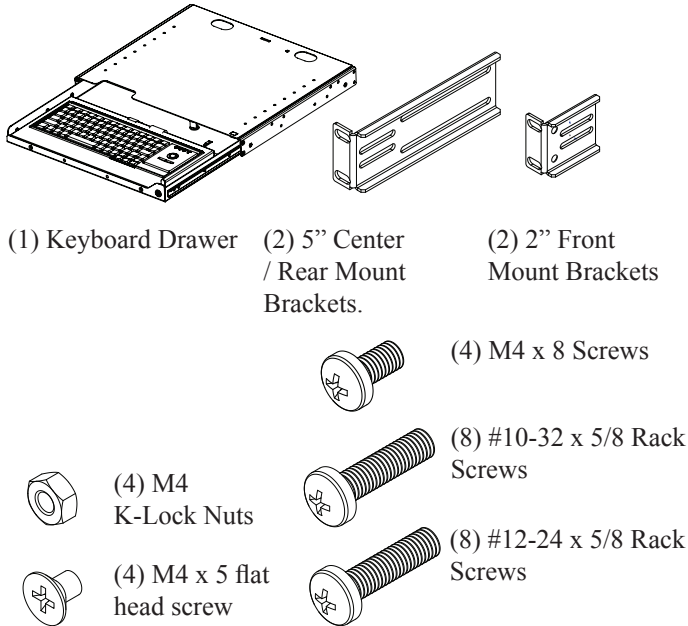
Tools Required



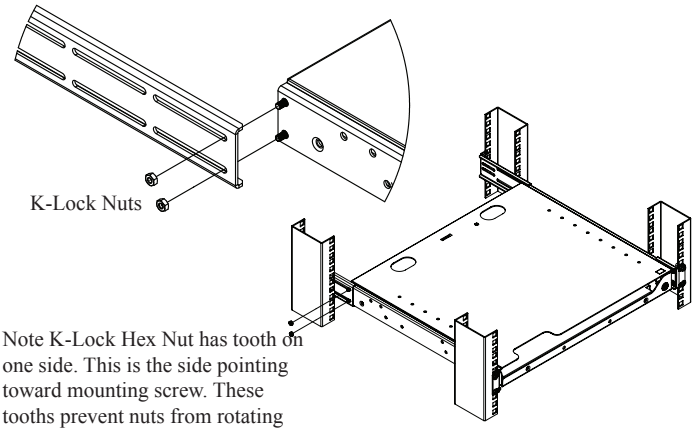
DR4 Compact Depth 4 Post Installation Instruction. For 16" to 19" depth



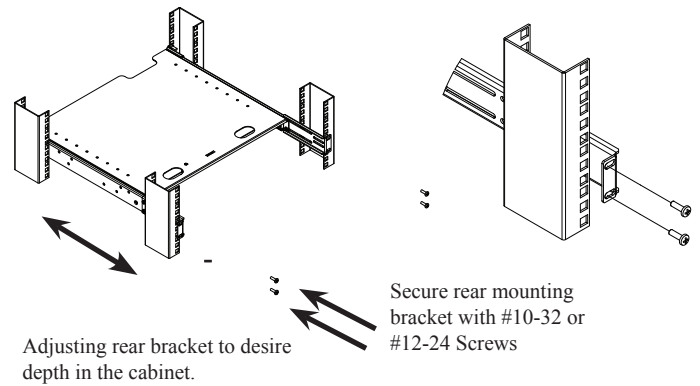
Parts and accessories required



Step 3 Installing Left side rear-mount bracket

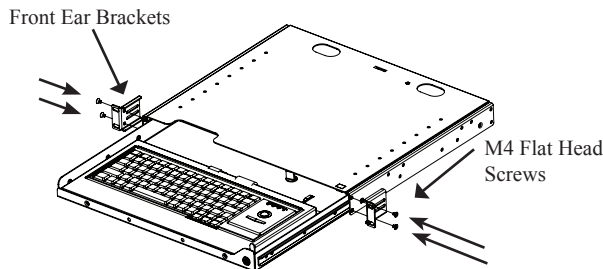


Step 4 Secure both rear mount brackets

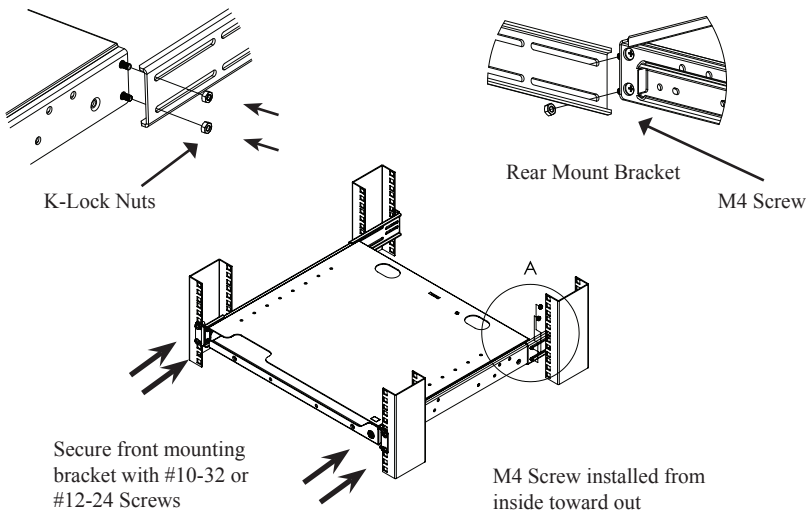


Installation Steps

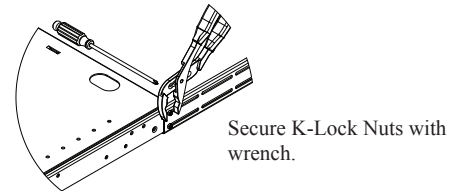
Step 1 Installing Front Ear Brackets



Step 2 Installing DR4 into 4 Post Cabinet.



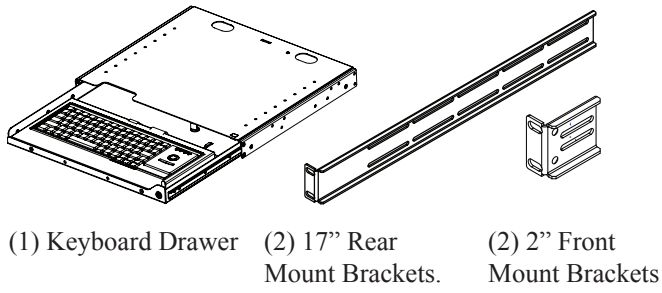
Step 5 Secure both side rear mount brackets



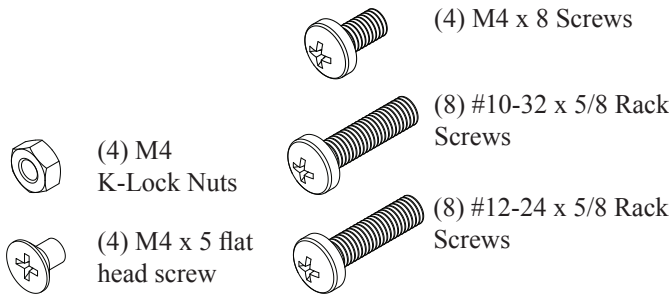
Installation Complete.

DR4 4 Post Installation Instruction

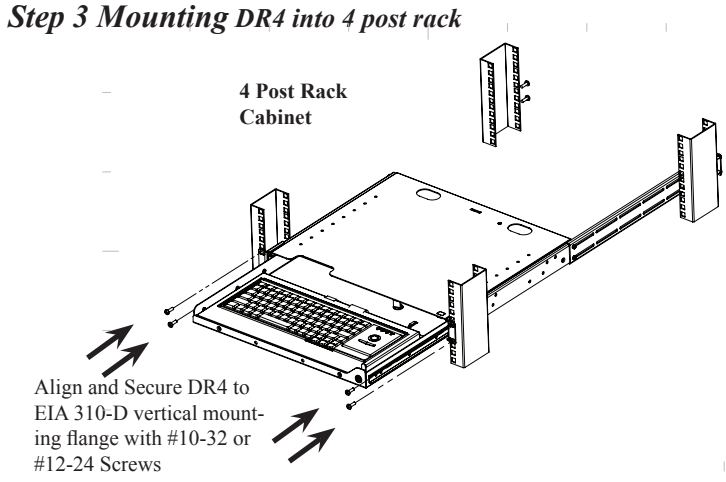
Parts and accessories required for Installation *Step 3 Mounting DR4 into 4 post rack*



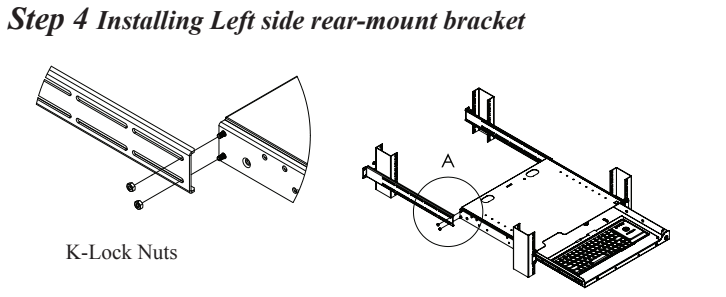
(1) Keyboard Drawer (2) 17" Rear Mount Brackets. (2) 2" Front Mount Brackets



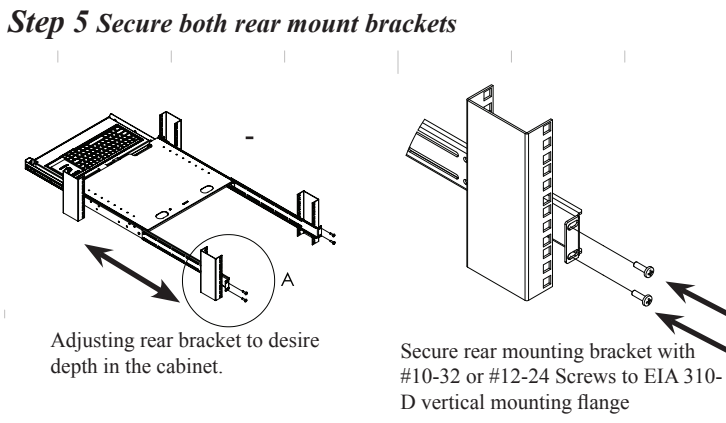
(4) M4 x 8 Screws
 (8) #10-32 x 5/8 Rack Screws
 (4) M4 K-Lock Nuts
 (4) M4 x 5 flat head screw
 (8) #12-24 x 5/8 Rack Screws



Align and Secure DR4 to EIA 310-D vertical mounting flange with #10-32 or #12-24 Screws



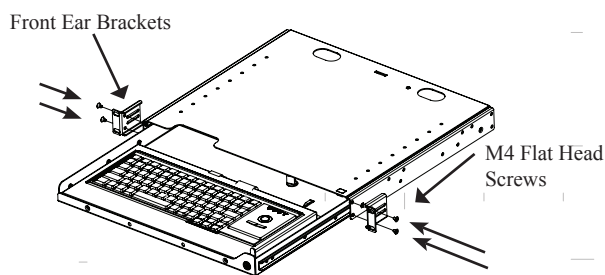
Step 4 Installing Left side rear-mount bracket



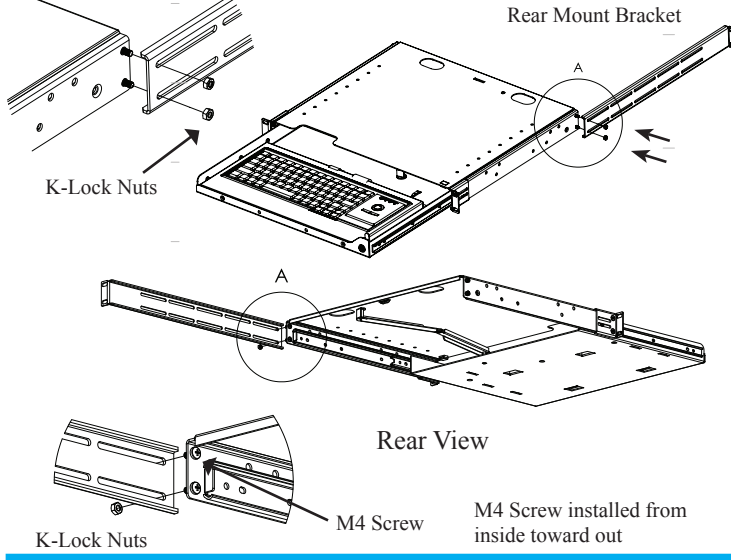
Step 5 Secure both rear mount brackets

Installation Steps

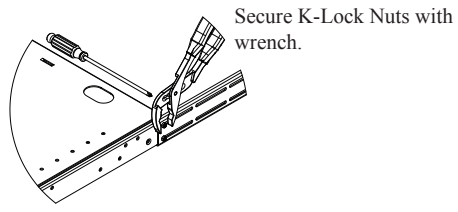
Step 1 Installing Front Ear Brackets



Step 2 Installing Right Rear Bracket.



Step 6 Secure both side rear mount brackets

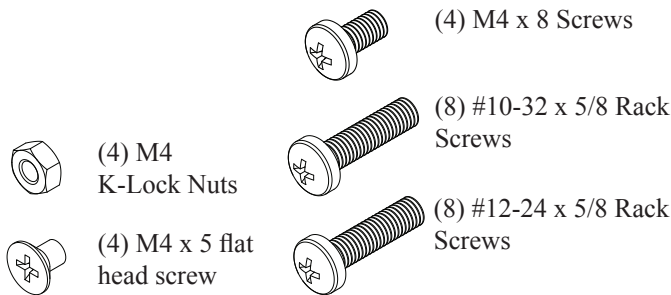
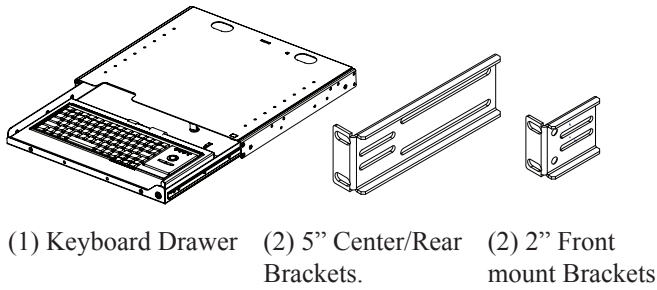


Secure K-Lock Nuts with wrench.

Installation Complete.

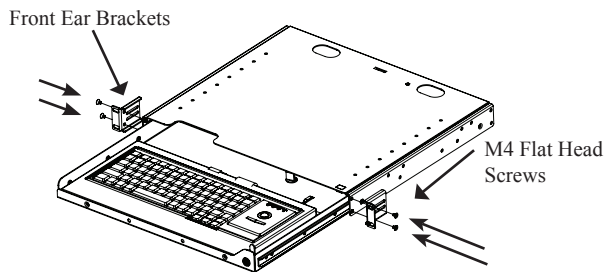
DR4 Front Mount 2 Post Installation Instruction

Parts and accessories required

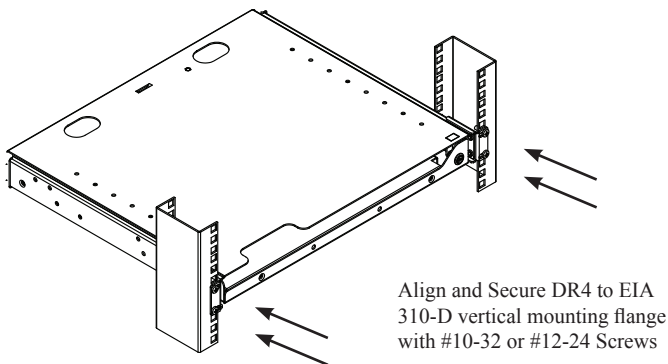


Installation Steps

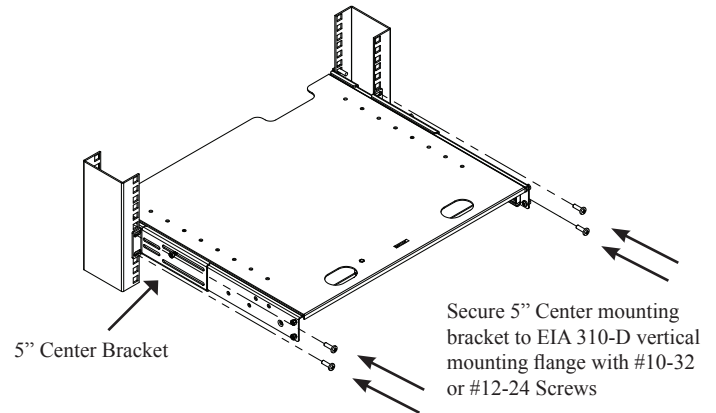
Step 1 Installing Front Ear Brackets



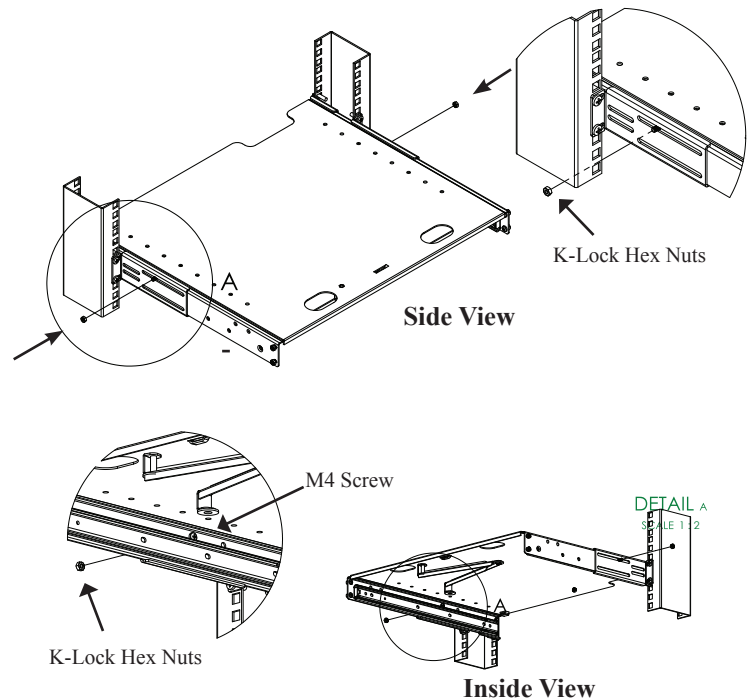
Step 2 Mounting DR4 into front of 2/4 Post Relay Rack.



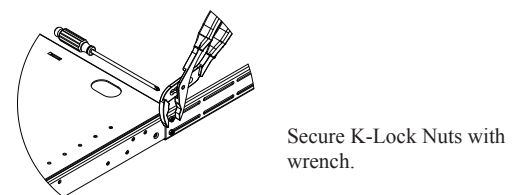
Step 3 Installing 5" Center Bracket



Step 4 Secure both rear brackets



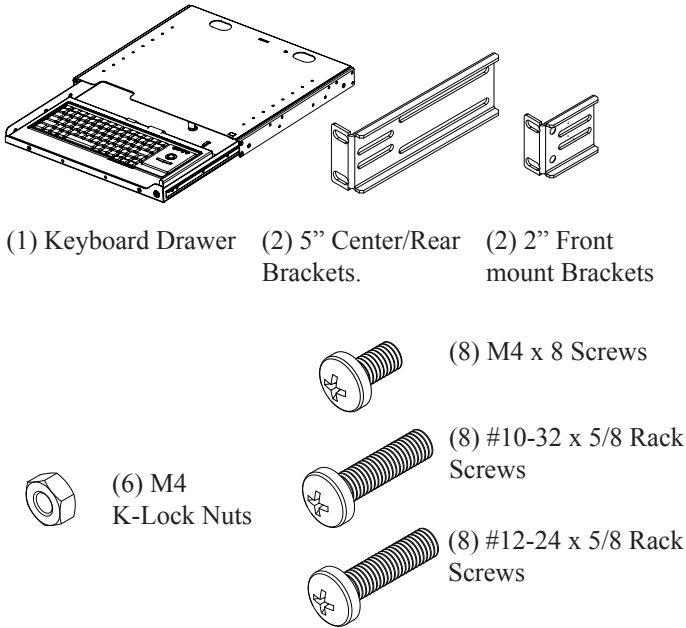
Step 5 Secure both side rear mount brackets



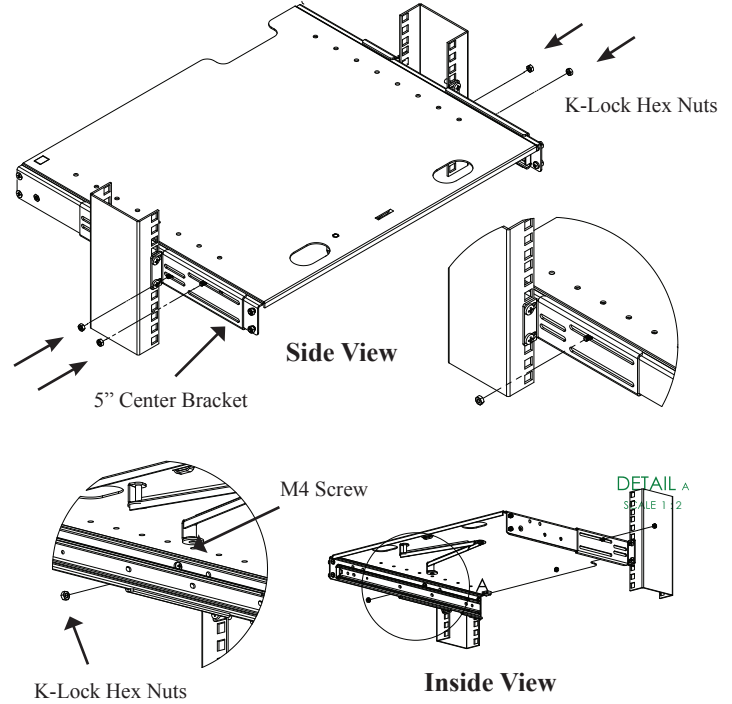
Installation Complete.

DR4 Center Mount 2 Post Installation Instruction

Parts and accessories required

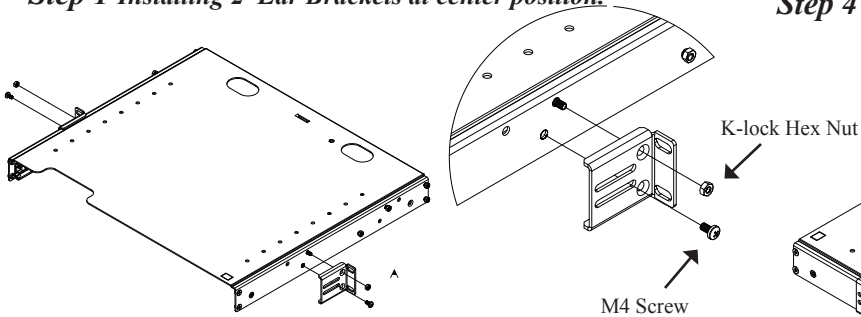


Step 3 Installing 5" Center Brackets

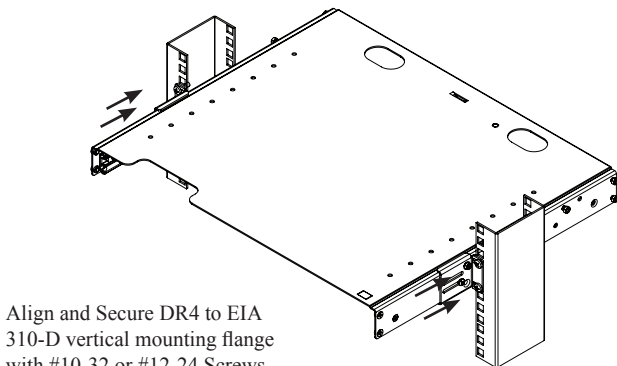


Installation Steps

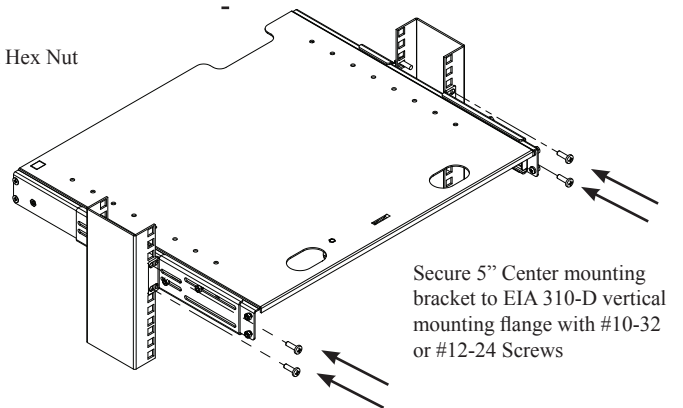
Step 1 Installing 2" Ear Brackets at center position.



Step 2 Mounting DR4 into front of 2/4 Post Relay Rack.



Step 4 Secure both rear brackets



Step 5 Secure all K-Lock Hex Nuts

