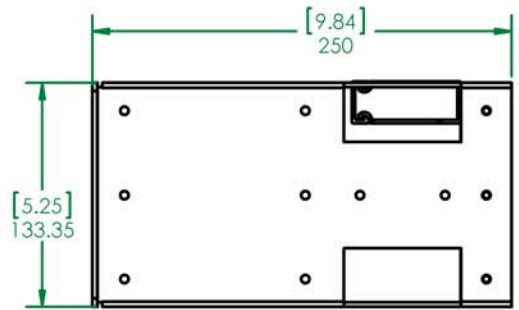
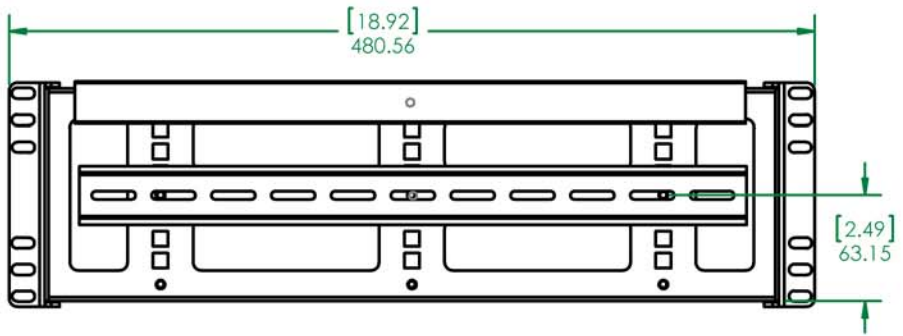
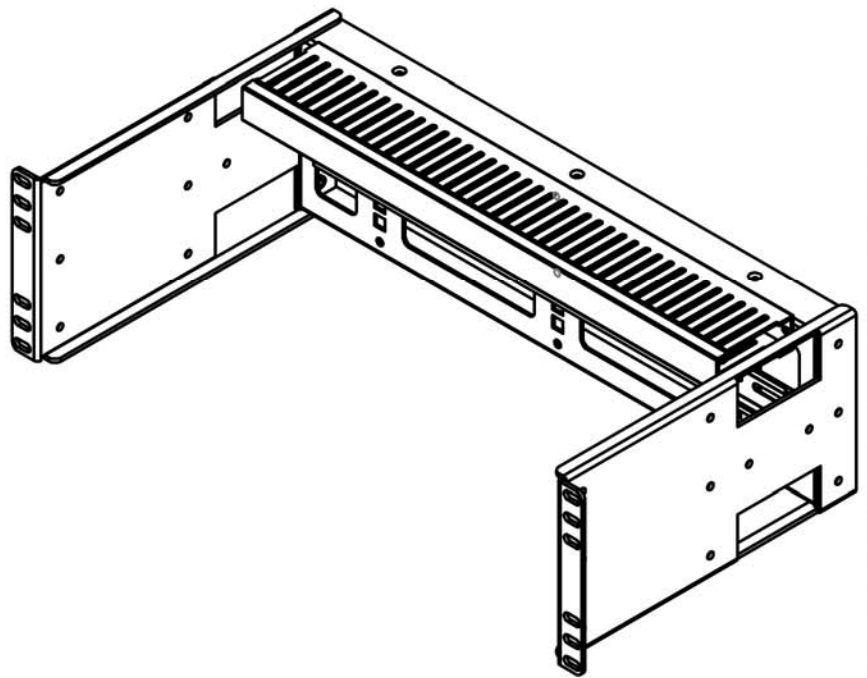
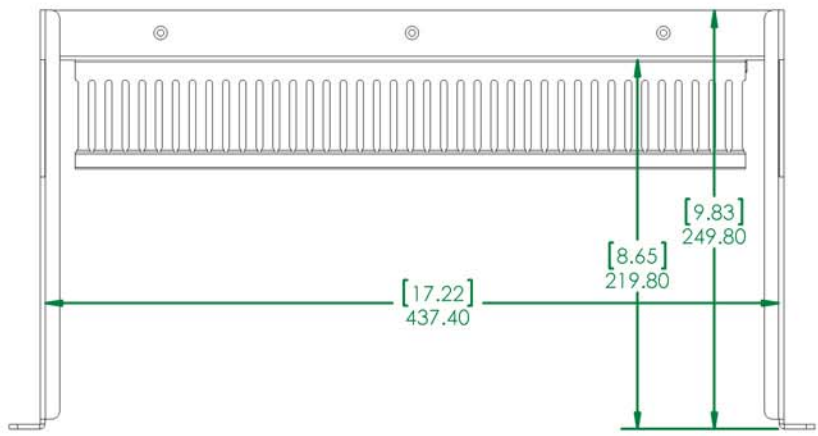


1 2 3 4 5 6 7 8

A  
B  
C  
D  
E  
F



Note:  
1. No sharp edges.  
2. RoHS: Manufacturer must ensure that all components used must comply with RoHS Regulation.

**Industrial Automation & Enclosures Inc**  
Industrial Enclosures expert  
TEL: (516) 997-5050 FAX: (516) 997-5784  
©2015 I.A.&E. Inc.

PROJECT NO.	RCB1111BK15	DRAWN	S. Wu	MATERIAL	Cold Roll Steel 12/15 Gauge	UNSPECIFIED TOLERANCES: ±0.15
MODEL	66836	APPV'D	-----	FINISH	e-Coat Black	
PART NO.	66836	DATE	7/26/2015	SCALE	1:5	SHEET 1 OF 1
PART NAME	3U Panel Drawing	REVISION	V 1.5	PROJECTION	Third Angle	UNIT:mm

CONFIDENTIAL DOCUMENT DO NOT COPY