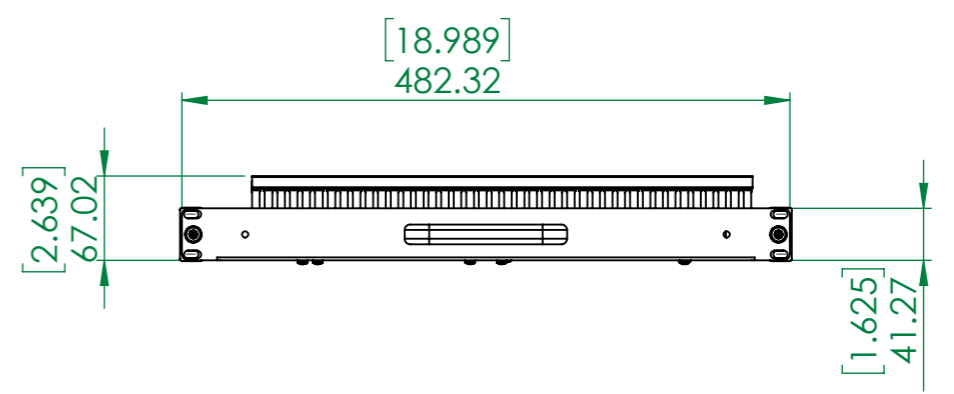


1	Top Hat Din Rail
2	PVC Wire Duct
3	Sliding Rail
4	



Note:  
 1. No sharp edges.  
 2. RoHS: Manufacturer must ensure that all components used must comply with RoHS Regulation.

<b>Industrial Automation &amp; Enclosures</b> A leading developer of industrial rackmount products TEL:(516)997-5050 FAX:(516)997-5784 ©2016 IAE Inc /www.iaenclosures.com	<b>MODEL</b>	IRP204D-24	<b>APPV'D</b>		<b>REVISION</b>	V 1.000000	<b>UNSPECIFIED TOLERANCES: ±</b>
	<b>PART NO.</b>	68286	<b>DATE</b>	11/21/2021	<b>FINISH</b>	Black Powder Paint	
	<b>PART NAME</b>	1U DIN Rail Sliding Shelf			<b>SCALE</b>	1:10	<b>SHEET 1 OF 1</b>
					<b>MATERIAL</b>	16 Gauge Steel	<b>UNIT:mm</b>