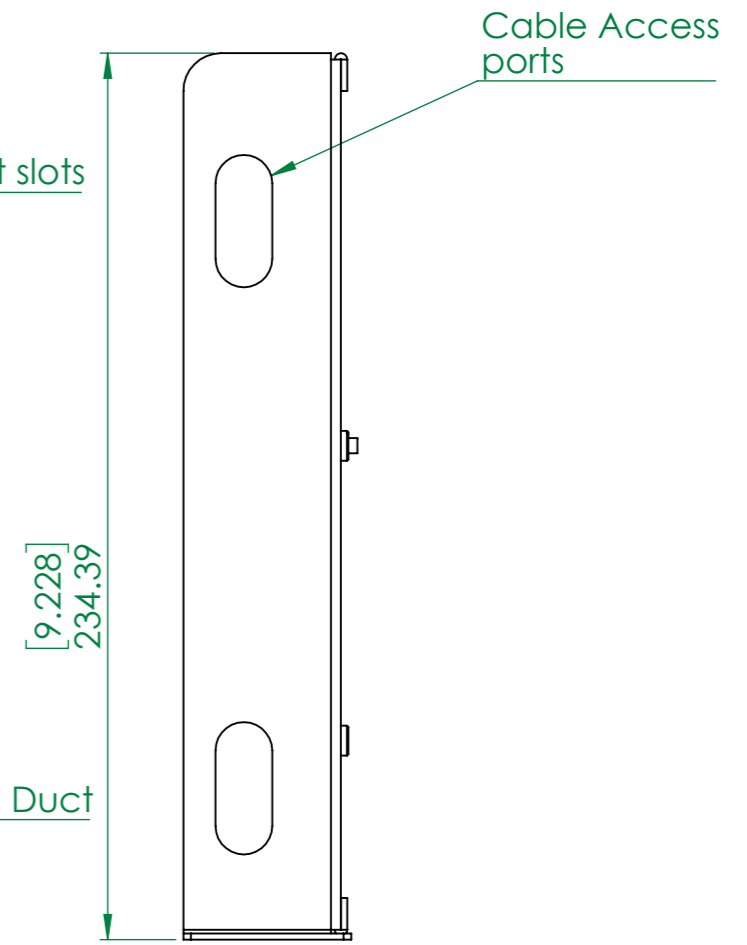


OB cutout slots

M4 Nuts for mounting DIN Rail or PVC Wire Duct

T Shape Cable Tie cutout (10 front and 10 rear)



Note:
 1. No sharp edges.
 2. RoHS: Manufacturer must ensure that all components used must comply with RoHS Regulation.

Industrial Automation & Enclosures A leading developer of industrial rackmount products TEL:(516)997-5050 FAX:(516)997-5784 ©2016 IAE Inc /www.iaenclosures.com	PROJECT NO.	IRP20123S11	DRAWN		MATERIAL	12 Gauge	UNSPECIFIED TOLERANCES: ±0.15
	MODEL	67916	APPV'D		FINISH	Black Powder Paint	
	PART NO.	67916	DATE	8/10/2018	SCALE	1:5	SHEET 1 OF 1
	PART NAME	1U DIN Rail Shelf	REVISION	V 1.1	PROJECTION	Third Angle	UNIT:mm