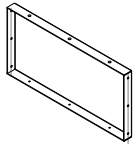


IRP1-0525 5U Rackmount Solid/Vented Panel Installation

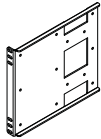


Included in this package

(1) 5U Solid/Vented Panel



(2) Ear Bracket



(6) M4 x 8 Screws



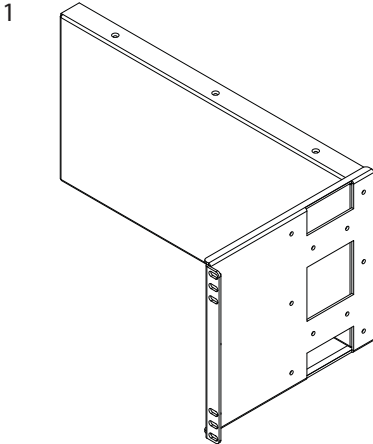
(4) #10-32 x 5/8 Screws



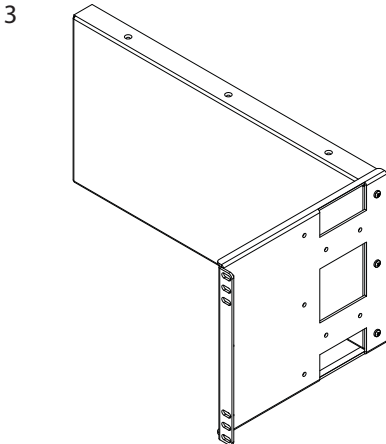
(4) #12-24 x 5/8 Screws



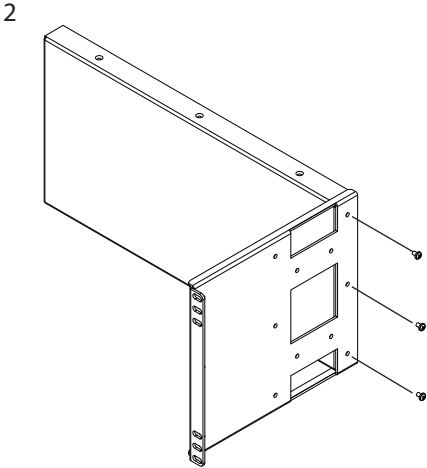
Installation Steps



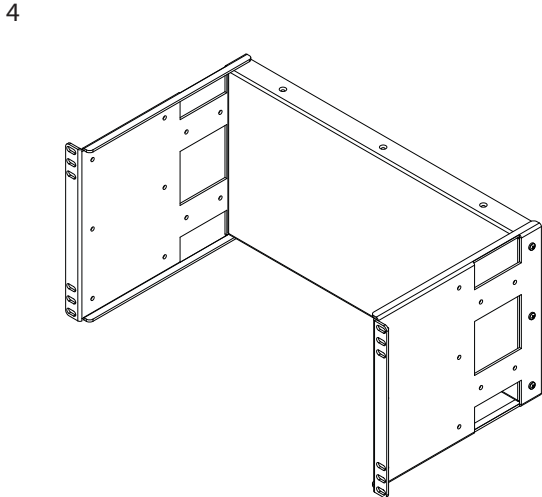
Place panel next to ear bracket



Use (3) M4 screw to mount ear bracket to panel



Align mounting holes on the panel with mounting holes on the ear bracket.



Repeat step 2 for other side.

Assembly Complete